

Opened wash basin

- Opened wash basin in AISI 304 stainless steel.
- Satin finish.
- Durability and resistant against rust.
- Antivandalic.



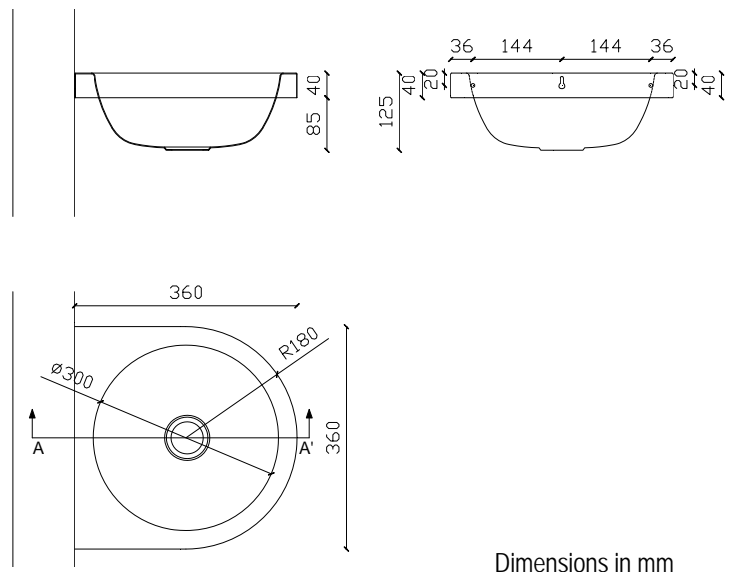
TECHNICAL DATA

- Made of AISI 304 stainless steel, 0,8 mm thick.
- Dimensions: 125 high x 360 wide x 360 deep. Bowl Ø 300 mm.
- Hole for faucet and faucet not included.
- Do not includes hole for soap dispenser, either valves.
- Maintenance: stainless steel needs maintenance because dust can eventually damage the chrome in stainless steel. We recommend monthly cleaning with our special product.

SUGGESTED TEXT FOR PRESCRIPTION

Opened wash basin NOFER or similar, in AISI 304 stainless steel satin finish. Antivandalic. Dimensions: 125 high x 360 wide x 360 deep mm. Bowl Ø 300 mm.

TECHNICAL DRAWING



NOFER S.L.
 Avenida de la fama, 118
 08940 · Cornellà de Llobregat (Barcelona)
 Tel +34 934 742 423 · Fax +34 934 743 548
 export@nofer.com · www.nofer.com

Related Products

